

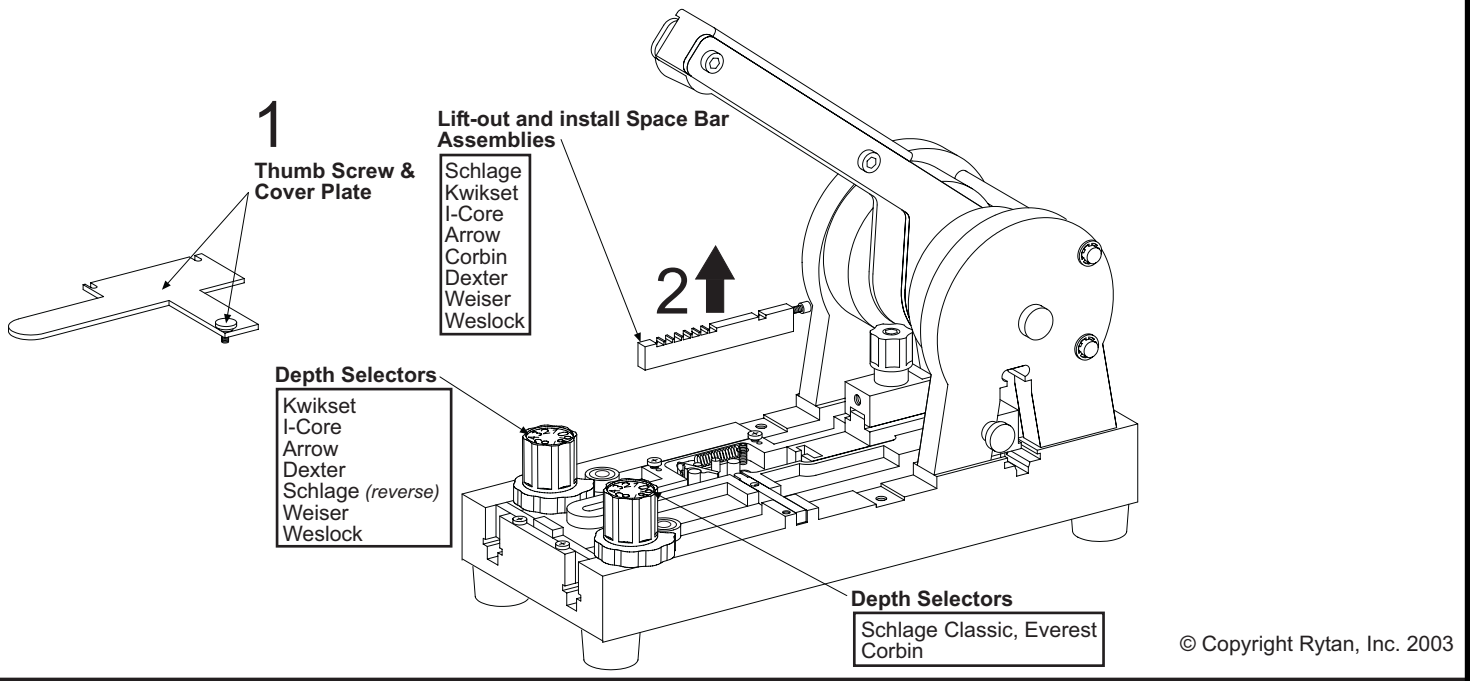
RY2000 DUAL MACHINE with Quick-Kits, changing: Space Bar Assemblies

'DUAL' Punch Machines are pre-adjusted and ready to cut standard Schlage keys right out of the box.

Remove Space Bar

1. Unscrew Thumb Screw and remove Cover Plate.
2. Lift Space Bar straight up.
3. Install another Space Bar (*no adjustment required*).
4. Re-install Cover Plate and Thumb Screw.

ALL RY2000 EXTREME CODE PUNCH MACHINES WITH QUICK-KITS CUT FROM BOW-TO-TIP.



QUICK-KITS

**NOW THAT YOU HAVE A 'DUAL' PUNCH MACHINE YOU CAN ORDER MORE QUICK-KITS. THERE ARE ONLY:
SIX MORE DEPTH SELECTORS
SIX MORE SPACE BARS
ONE ADDITIONAL PUNCH & DIE
ONE ADDITIONAL TOP SHOULDER STOP**