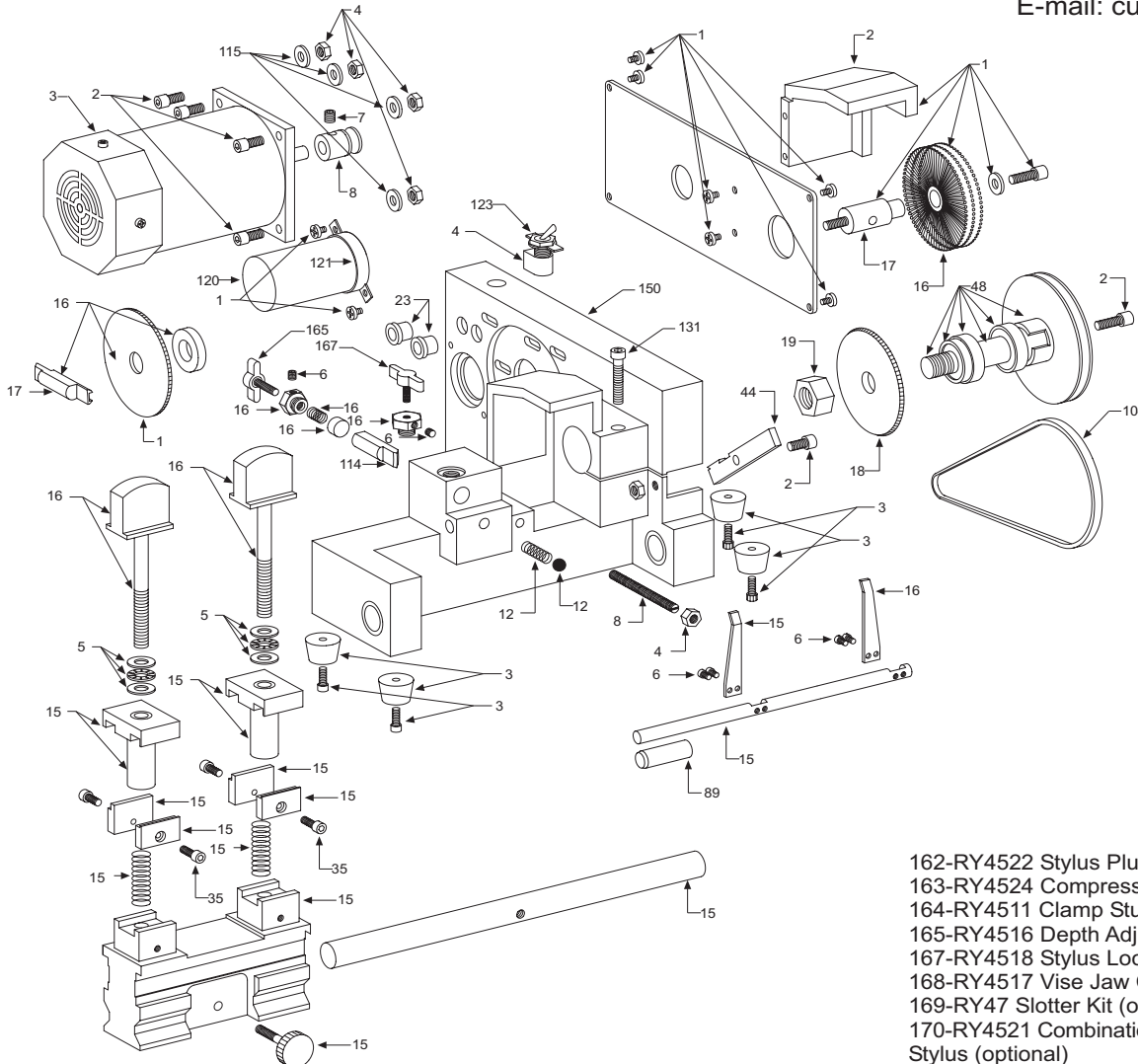


# RY45 & RY65 Key Machine



- 162-RY4522 Stylus Plunger
- 163-RY4524 Compression Spring
- 164-RY4511 Clamp Stud
- 165-RY4516 Depth Adj. Screw Assy.
- 167-RY4518 Stylus Lock
- 168-RY4517 Vise Jaw Clamp Screw Assy.
- 169-RY47 Slotter Kit (optional)
- 170-RY4521 Combination Stylus or Ry6521 Dual Stylus (optional)

#### PARTS NOT ILLUSTRATED

- RY9040 Power Cord
- RY9051 Wire Nuts

#### REPLACEMENT REPAIR KITS

- RY4514 Key Gauge Assembly
- RY82 Key Vise Thrust Bearing Kit
- RY42 Ball Bearing Cutter Shaft Assy.

#### OPTIONAL ACCESSORIES

- RY88 12 Volt D.C. Motor
- RY99 12 Volt D.C. Wiring Kit
- RY10088 D.C. Motor Adapter Plate
- RY4526 Instruction Manual

#### Convert your RY45 to a RY65

Buy an RY20030 Cutter & RY6521 Stylus (lets you make the first cut "straight" next to the shoulder just like the factory)

Part drawing maybe different than actual part

#### RY45 & RY65 PARTS LIST

- 2- RY9069 Cap Screw
- 3- RY10038 A.C. Motor
- 7- RY9048 Set Screw
- 8- RY10037 Motor Pulley
- 11- RY115 Slotter Cutter (optional)
- 12- RY9046 Philips Screw
- 15- RY101 Wire Brush Kit (optional)
- 16- RY9074 Replacement Wire Brush
- 17- RY10101 Arbor
- 18- RY10030 or RY20030 Cutter
- 19- RY10036 Cutter Hex Nut (Left Hand)
- 23- RY9053 Strain Relief
- 25- RY10013 Guard
- 34- RY9145 Rubber Foot
- 35- RY9058 Cap Screw
- 36- RY9024 Bronze Oilite™ Bearing
- 41- RY9055 Hex Jam Nut
- 42- RY9041 Switch
- 44- RY10035 Cutter Shaft Lock
- 48- RY42 Ball Bearing Cutter Shaft Assy.
- 50- RY82 3-Piece Thrust Bearing Assy.
- 59- RY9003 Set Screw
- 87- RY10087 Carriage O-Travel Adj.
- 104-RY9085 Drive Belt
- 114-RY256276 Stylus
- 115-9073 Steel Flat Washer
- 120-RY10039 Capacitor
- 121-RY10044 Capacitor Bracket
- 126-RY9083 Steel Ball
- 127-RY9089 Compression Spring
- 131-RY9042 Cap Screw
- 150-RY4501 Machine Base
- 151-RY4502 Carriage
- 152-RY49 Top Vise Jaw Assembly
- 153-RY4507 Standard Bottom Vise Jaw
- 154-RY4508 Narrow Bottom Vise Jaw
- 155-RY9035 Compression Spring
- 156-RY4527 Carriage Locking Screw Assy.
- 157-RY4506 Carriage Shaft
- 158-RY4512 Key Gauge Shaft
- 159-RY4515 Key Gauge L.H.
- 160-RY4513 Key Gauge R.H.
- 161-RY4503 Plate

PRICES ARE SUBJECT TO CHANGE WITHOUT NOTICE\*\*\*SEE TERMS AND CONDITIONS