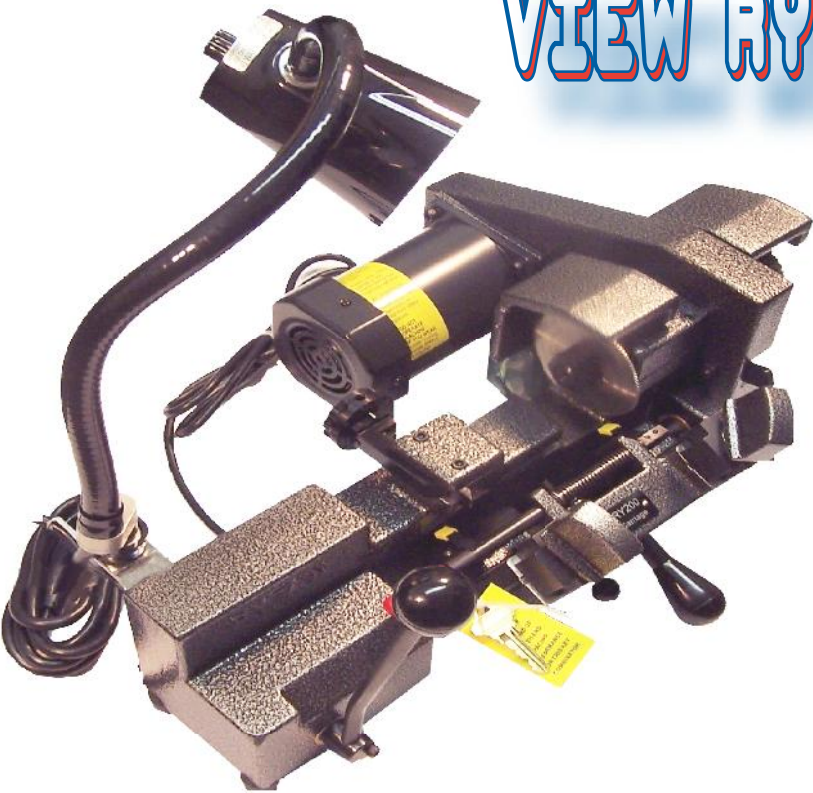


VIEW RY100 AND RY200

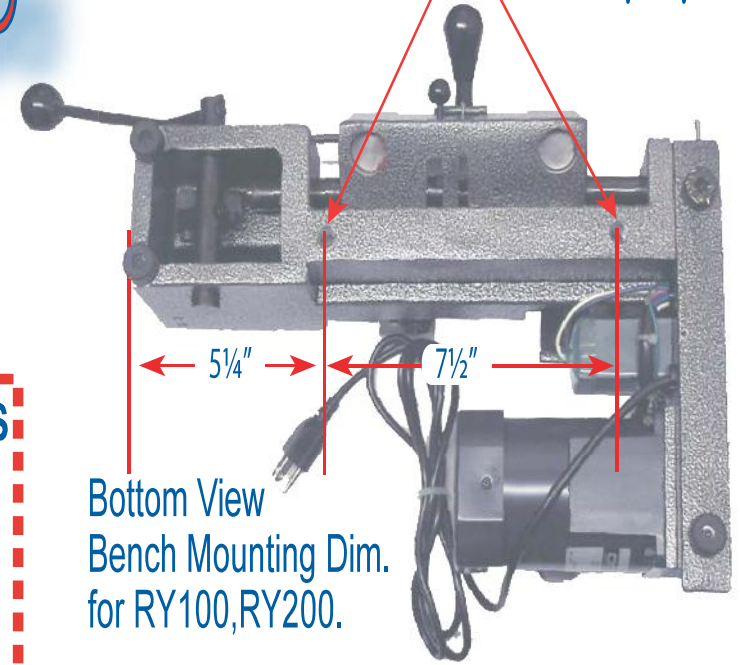


MOTOR SPECIFICATIONS

A.C. MOTOR
 115 Volt, 60Hz
 230 Watts Input Power
 3,200 r.m.p.

D.C. MOTOR
 12 Volt D.C.
 13.5 Amps Max at Full Load
 3,200 r.m.p.

1/2 - 13 Threaded hole 1" deep 2 plcs



Bottom View
 Bench Mounting Dim.
 for RY100,RY200.

