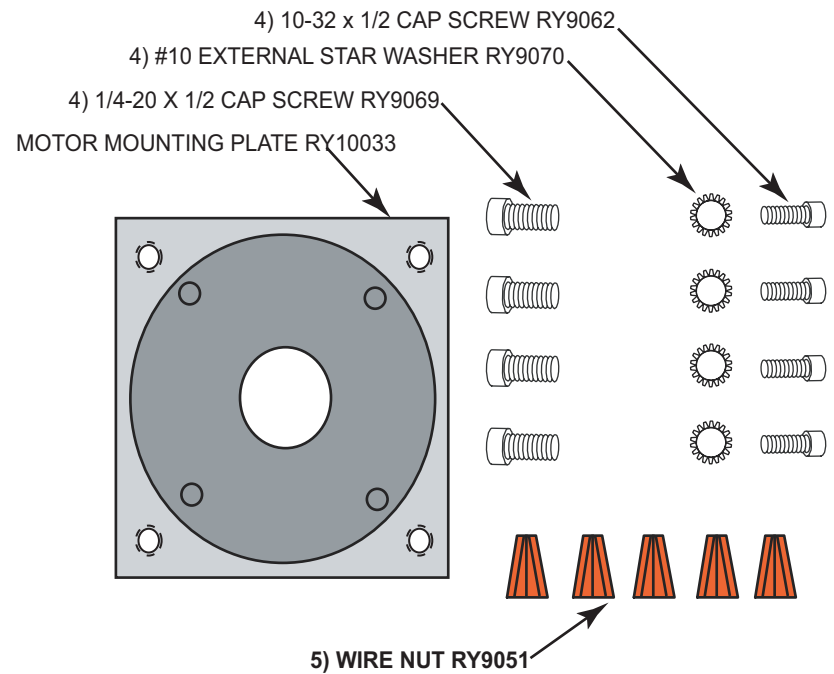
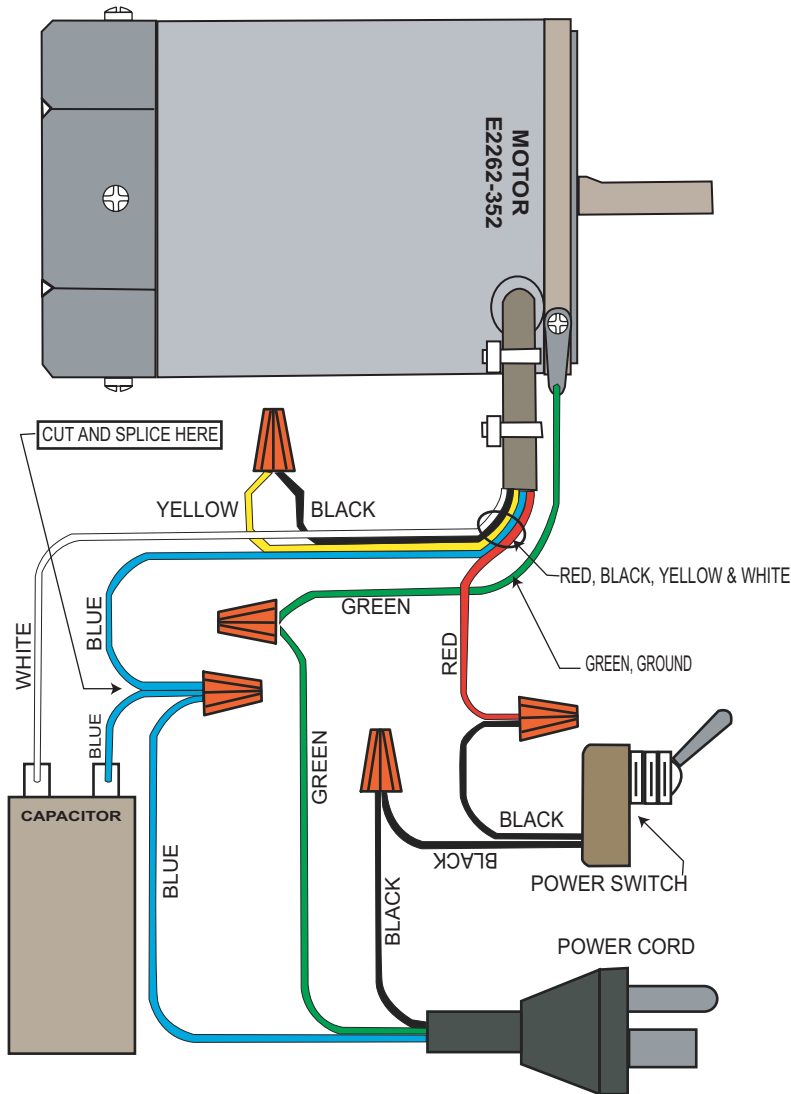
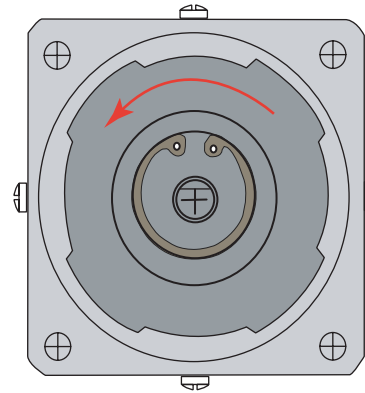


**RYTAN MOTOR P/N RY 10038**  
 115 Volt, 60Hz  
 230 Watts Input Power  
 3,200 Full Load R.P.M.  
 3.2 Lb-In Running Torque  
 3.3 Lb-In Starring Torque  
 Continuous Duty Rating

**MOTOR CAPACITOR P/N RY10039**  
 30 MFD., 220 Volt A.C.

**POWER SWITCH P/N RY9041**  
**POWER CORD P/N RY9040**



## A..C. MOTOR REPAIR KIT RY10038