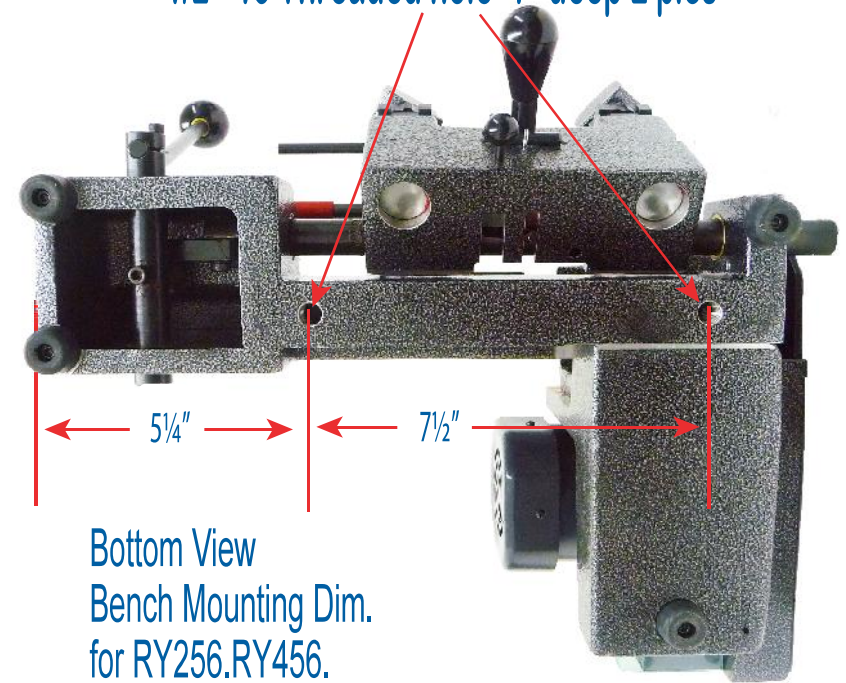


VIEW RY256 AND RY456

1/2 - 13 Threaded hole 1" deep 2 plcs



MOTOR SPECIFICATIONS

A.C. MOTOR
115 Volt, 60Hz
230 Watts Input Power
3,200 r.p.m.

D.C. MOTOR
12 Volt D.C.
13.5 Amps Max at Full Load
3,200 r.p.m.

