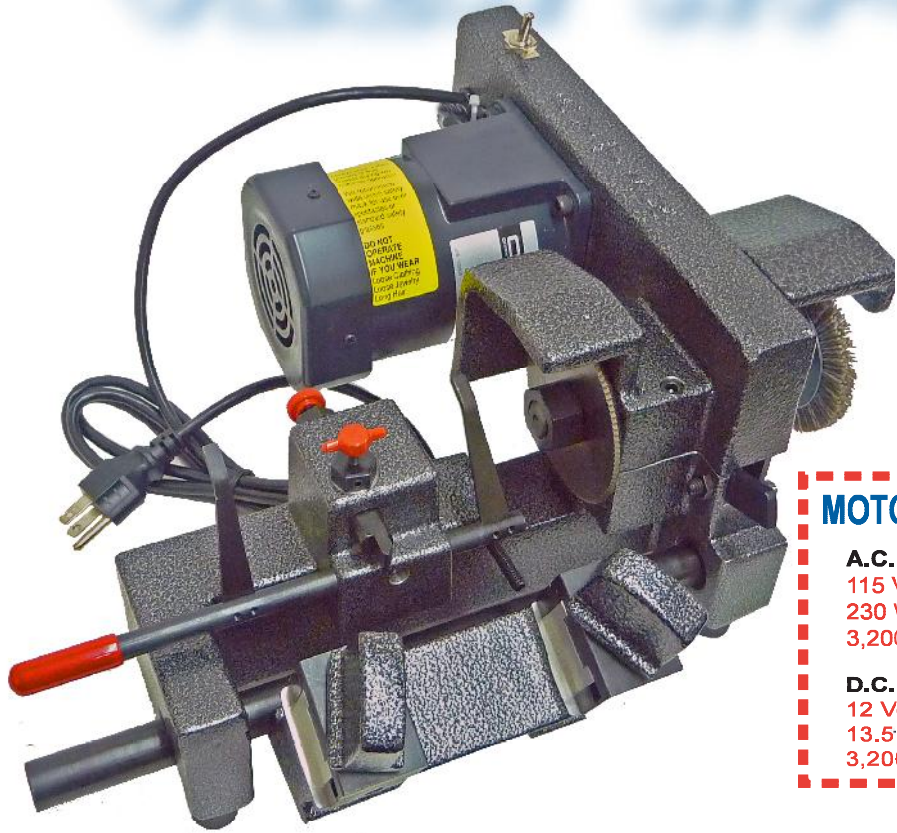


# VIEW RY45

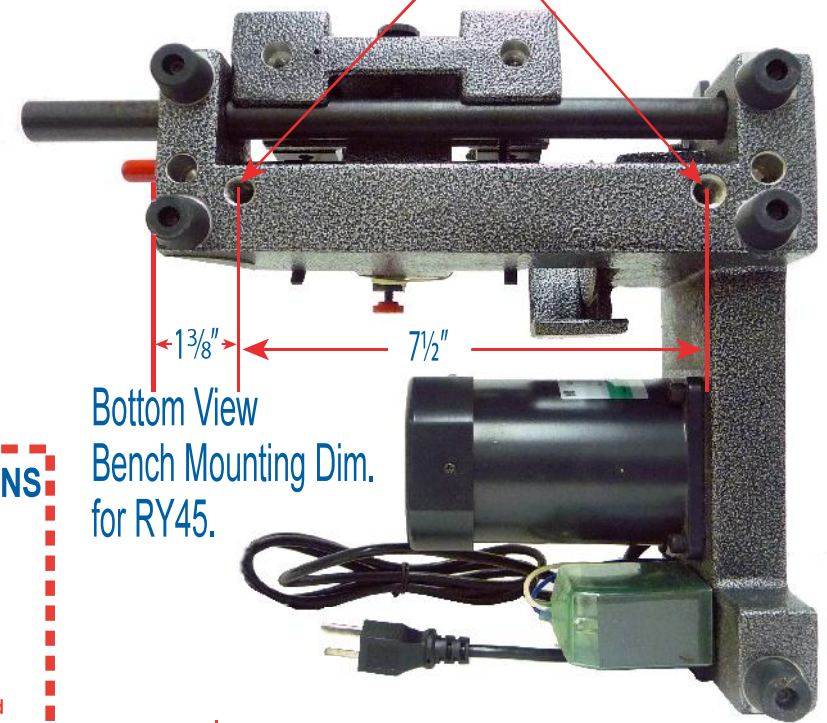


## MOTOR SPECIFICATIONS

**A.C. MOTOR**  
 115 Volt, 60Hz  
 230 Watts Input Power  
 3,200 r.m.p.

**D.C. MOTOR**  
 12 Volt D.C.  
 13.5 Amps Max at Full Load  
 3,200 r.m.p.

1/2 - 13 Threaded hole 1" deep 2 plcs

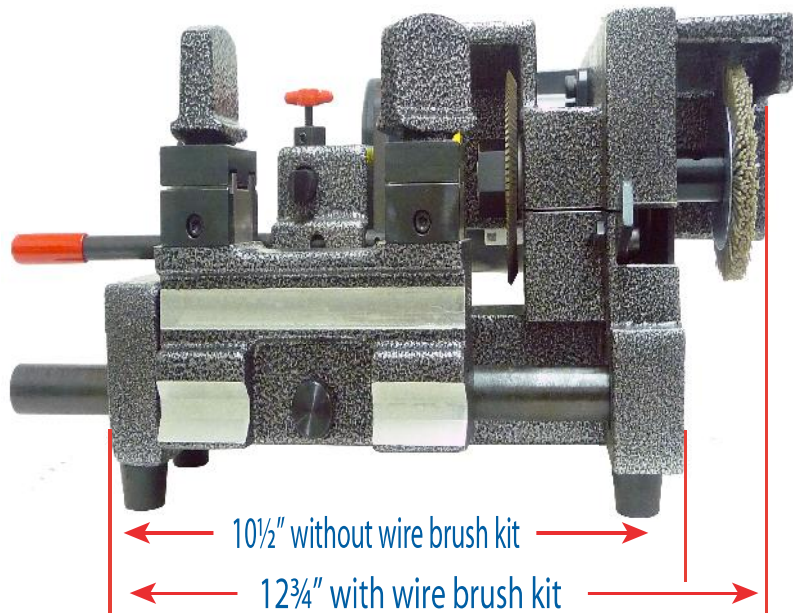


Bottom View  
 Bench Mounting Dim.  
 for RY45.

1 3/8"

7 1/2"

10 1/2" DEEP



10 1/2" without wire brush kit

12 3/4" with wire brush kit

6 1/2" HIGH

COUNTER EDGE

TOP COUNTER

