

# RY5798 PLUG SPINNER

Over 40,000 original RY57's sold . . .  
Congratulations on Your Purchase Today!

**Rydan**  
INCORPORATED

Sometimes a lock will resist picking open but will pick easier in the opposite direction. In cases like this the best solution is to pick the lock backwards and then use your RY5798 Plug Spinner to spin the plug back past the shear line and over to the open position.

You need lots of speed and power to spin the cylinder plug past the shear line without causing the lock to relock. The Rydan RY5798 Plug Spinner will do the job for you time and time again – all with the simple push of a button.

The RY5798 Plug Spinner is a bi-directional tool.

## INSTRUCTIONS

If the lock's plug [already picked in the wrong direction] must be turned to the right, then the plug spinner must be readied by turning and locking it to the right. If the lock's plug [already picked in the wrong direction] must be turned to the left, then the plug spinner must be readied by turning and locking it to the left.

## TURN THE TOOL 1/2 TURN (180°)

The RY5798 is readied by holding the tool by the two operating wing knobs with the blade facing away from your body. Separate the two parts of the plug spinner body by pulling them away from each other and begin turning the half with the push button knob assembly in the direction that the lock's plug must be rotated. Once the two halves of the plug spinner body have been turned about 1/4 turn, push the two halves toward each other and continue turning until you have rotated 1/2 turn (180°) and you hear and feel the two halves "CLICK" into position.

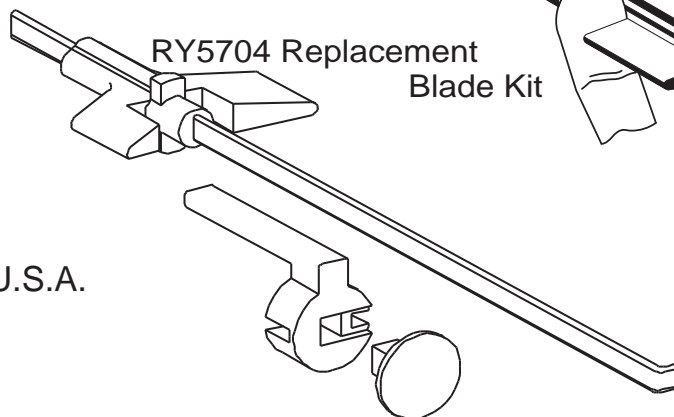
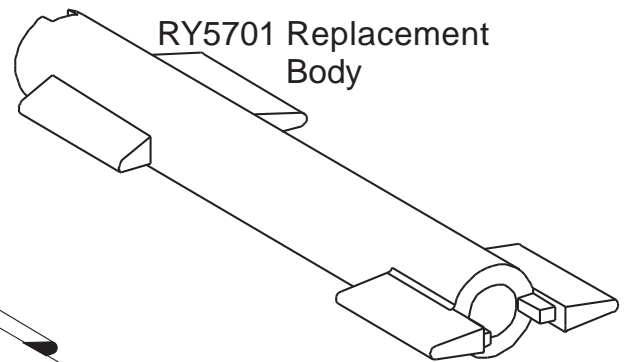
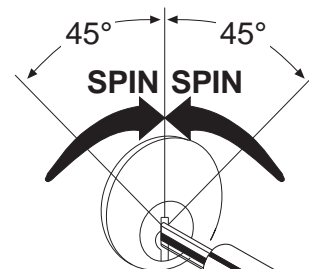
Once your plug spinner is ready, insert the tip of the plug spinner's blade into the lock's keyway as far as possible. **Turn the entire plug spinner and lock plug until the plug is 45° from either side, as required, of the locked position.** Hold the tool steady and push the YELLOW push button with your thumb. Please keep your fingers away from the tip area.

The lock's plug is now in the proper "picked open" position.

**NOTE:** If your RY5798 Plug Spinner seems to have lost some of its original speed or power you need to replace your Blade Kit.

Order **RY5704** for replacement blade kit.

Order **RY5701** for replacement body.



**PUSH BUTTON**  
Rydan invented push-button plug spinner technology in 1985.

**Rydan**  
INCORPORATED

455 Maple Avenue  
Torrance, CA 90503 U.S.A.  
(800) 447-9826  
(310) 212-6002 fax

Copyright Rydan, Inc. 2000

**MADE IN U.S.A.**